

Cable rating: Rated voltage: 300V

Product weight: 120g

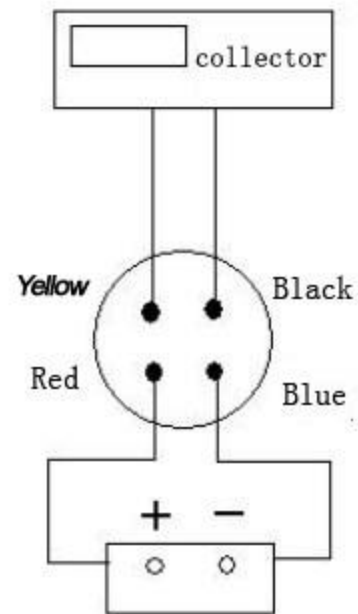
Product power consumption: 1.5W

Wiring Method

(1) If you are equipped with the collector produced by our company, you can directly use the sensor cable to connect the sensor with the corresponding interface on the collector.

(2) If the sensor is purchased separately, the wiring sequence of the matching wires of the sensor is as follows

respectively:



Product introduction

NBL-W-RSS rain and snow sensor adopts surface grating electrode to sense the external rain and snow condition, and adopts imported intelligent microprocessor inside, which has sensitive response and high measurement precision. Built-in automatic heating device can exclude the rain and snow attached to the interference, to protect the normal operation of the system. Output a set of relay normally open/closed switch signal, convenient for installation and use. This product can be widely used in meteorology, ocean, environment, airport, port, laboratory, industry and agriculture and transportation and other fields of rain and snow qualitative measurement.

Technical Parameters

Measuring range: rain, snow, with or without

Power supply mode:

DC 12V-24V

Other

Output form:

Switching : Normally open Normally closed

Other

Instrument cable length: 5 meters

Load capacity (contact capacity): 5A, 250VAC/30VDC

Working environment:

Temperature -40°C ~ 80

Humidity ≤100%RH

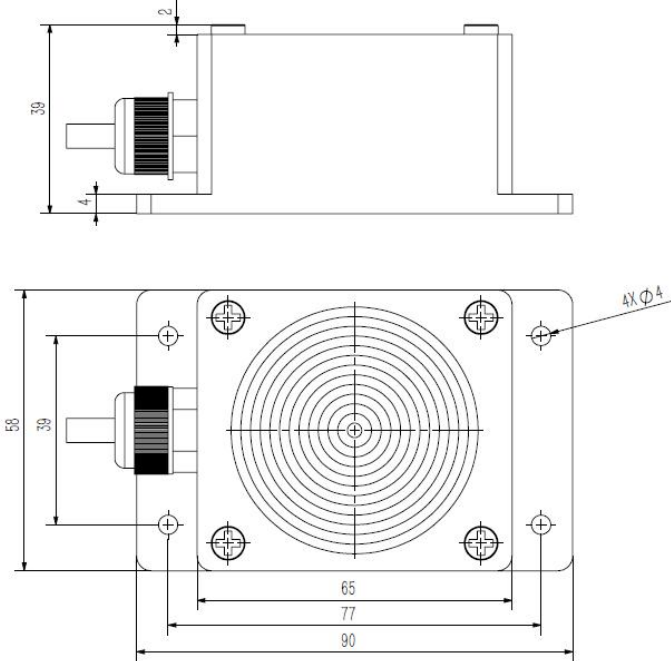
Red wire: Power + (+12V)

Blue wire: power-

Black wire, yellow wire: contact

The output of the inductor is a set of switching signals, and the wiring of the two contacts to the collector does not need to be considered positive or negative. Connect the inductor to the power supply and collector as shown above.

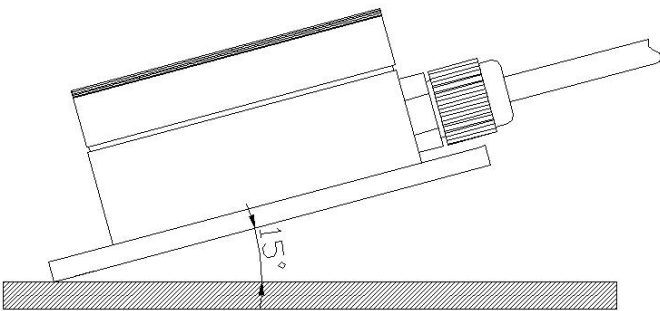
Dimensions



Rain and Snow Sensor Ring Dimensions

Installation Instructions

1. As shown in the figure, put 2 M3×35 screws through the two mounting holes at the front end of the inductor, and 2 M3×35 screws through the two mounting holes at the rear end of the inductor, and fasten it with a nut to keep the inductor sensing surface and the horizontal plane at about 15° (in case the accumulation of rain or snow affects the measurement of the inductor), and fasten the inductor to the mounting base;



2. Please avoid disassembling the sensor during installation.

Instructions for use

After the sensor is wired and installed in accordance with the wiring method and the instructions in the installation instructions, it is placed in the location where it is intended to be detected, and the system is turned on to obtain qualitative information on the presence or absence of rain or snow.

Caveat

- 1, please check whether the packaging is intact, and check whether the product model is consistent with the selection;
- 2, do not be wired with electricity, wiring is completed to check that there is no error before energizing;
- 3, the sensor line length will affect the product output signal, do not change the use of the product has been welded at the factory components or wires, if there is a need to change, please contact the manufacturer;
- 4, the sensor is a precision device, the user in the use of the user should not disassemble, with sharp objects or corrosive liquids in contact with the sensor surface, so as not to damage the product;
- 5, Please keep the calibration certificate and certificate of conformity, and return with the product when repairing.

Fault resolution

1. The collector does not display a value. The collector may not be able to acquire information correctly due to wiring problems. Please check if the wiring is correct and firm;
2. If it is not the above reason, please contact the manufacturer.

Contact Us

Pre-sales consultation: +8618073152920

After-sales service: +8615367865107

Postcode: 421000

Email:Sales@niubol.com

Website: <http://www.niubol.com>

Address: Room 103, Zone D, Houhu Industrial
Park, Yuelu District, Changsha City, Hunan
Province,China